

DH-IPC-EBW81200

12M Ultra HD Vandal-proof IR Network Fisheye Camera



Features

- 1/2.3" 12M progressive scan CMOS
- H.264 & MJPEG dual-stream encoding
- Max 15fps@12M(4000x3000), 25/30fps@3M(2048x1536)
- Multiple Correct Mode: Original, Panoramic, Double Panoramic, 1+3, Eptz, 4 pictures
- DWDR, Day/Night(ICR), 3DNR, ROI, DOG, AWB, AGC, BLC
- Multiple network monitoring: Web viewer, CMS(DSS/PSS) & DMSS
- Max. IR LEDs Length 10m
- Built-in 1/1 alarm in/out
- Micro SD memory, IP66, IK10, PoE

DH-IPC-EBW81200

Technical Specifications

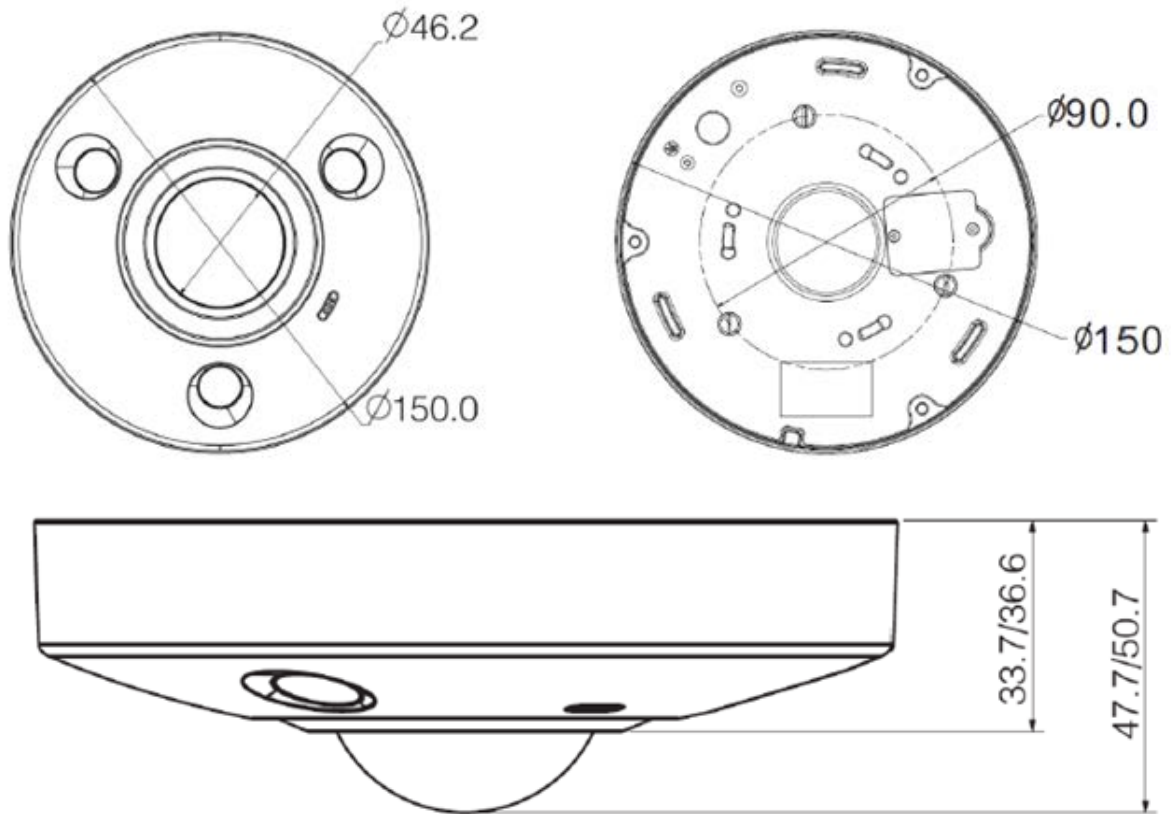
Model	IPC-EBW81200		IPC-EB81200
Camera			
Image Sensor	1/2.3" 12M progressive scan CMOS		
Effective Pixels	4000 (H) *3000 (V)		
Scanning System	Progressive		
Electronic Shutter Speed	Auto/Manual 1/3~1/10000		
Min. Illumination	0. 1Lux/F2.2(Color)	0.01Lux/F2.2(Color), 0.001Lux/F2.2(B/W)	
S/N Ratio	More than 50dB		
Video Output	N/A		
Camera Features			
Max. IR LEDs Length	10m	N/A	
Day/Night	Auto(ICR) / Color / B/W		
Backlight Compensation	BLC/ HLC/DWDR		
White Balance	Auto/Manual		
Gain Control	Auto/Manual		
Noise Reduction	3D		
Privacy Masking	Up to 4 areas		
Lens			
Focal Length	1.57mm		
Max Aperture	F2.2		
Focus Control	Manual		
Angle of View	185° /185° /185°		
Lens Type	Manual		
Mount Type	Board-in Type		
Video			
Compression	H.264H/MJPEG/JPEG		
Resolution	12M(4000×3000)/3M(2048×1536)/1080P(1920×1080)		
Frame Rate	Main Stream	Correct Before:12M(1~15fps)/1080P/(1 ~ 25/30fps) Correct After:8M(1~15fps)	
	Sub Stream	Correct Before:D1/CIF(1 ~ 25/30fps) Correct After:3M(1~25/30fps)	
Bit Rate	H.264: 48k~64Mbps		
Correct Mode	Original ,Panoramic, Double Panoramic,1+3,Eptz,4 pictures		
Audio			
Compression	G.711a/G.711u/PCM		
Interface	1/1 channel In/Out(Built in Mic)		
Network			
Ethernet	RJ-45 (10/100Base-T)		
Wi-Fi	N/A		
Protocol	HTTP,TCP,ARP,RTSP,RTP,UDP,RTCP,SMTP,FTP,DHCP,DNS,DDNS,PPPOE, IPv4/v6,SNMP,QoS,UPnP,NTP		

DH-IPC-EBW81200

Compatibility	ONVIF,PSIA,CGI
Max. User Access	10users
Smart Phone	iPhone, iPad, Android, Windows Phone
Auxiliary Interface	
Memory Slot	Micro SD
RS485	N/A
Alarm	1/1 channel In/Out
PIR Sensor Range	N/A
General	
Power Supply	DC12V, PoE (802.3af)
Power Consumption	<8W
Working Environment	-40°C~+60°C, Less than 95%RH
Ingress Protection	IP66
Vandal Resistance	IK10
Dimensions	Φ150mm x 48mm
Weight	<1kg

DH-IPC-EBW81200

Dimensions (mm)



Dahua Technology Co., Ltd.

1199 BinAn Road, Binjiang District, Hangzhou, China

Tel: +86-0571-87688883

Fax: +86-0571-87688815

Email: overseas@dahuatech.com

www.dahuatech.com

*Design and specifications are subject to change without notice.

© 2014 Dahua Technology Co., Ltd.